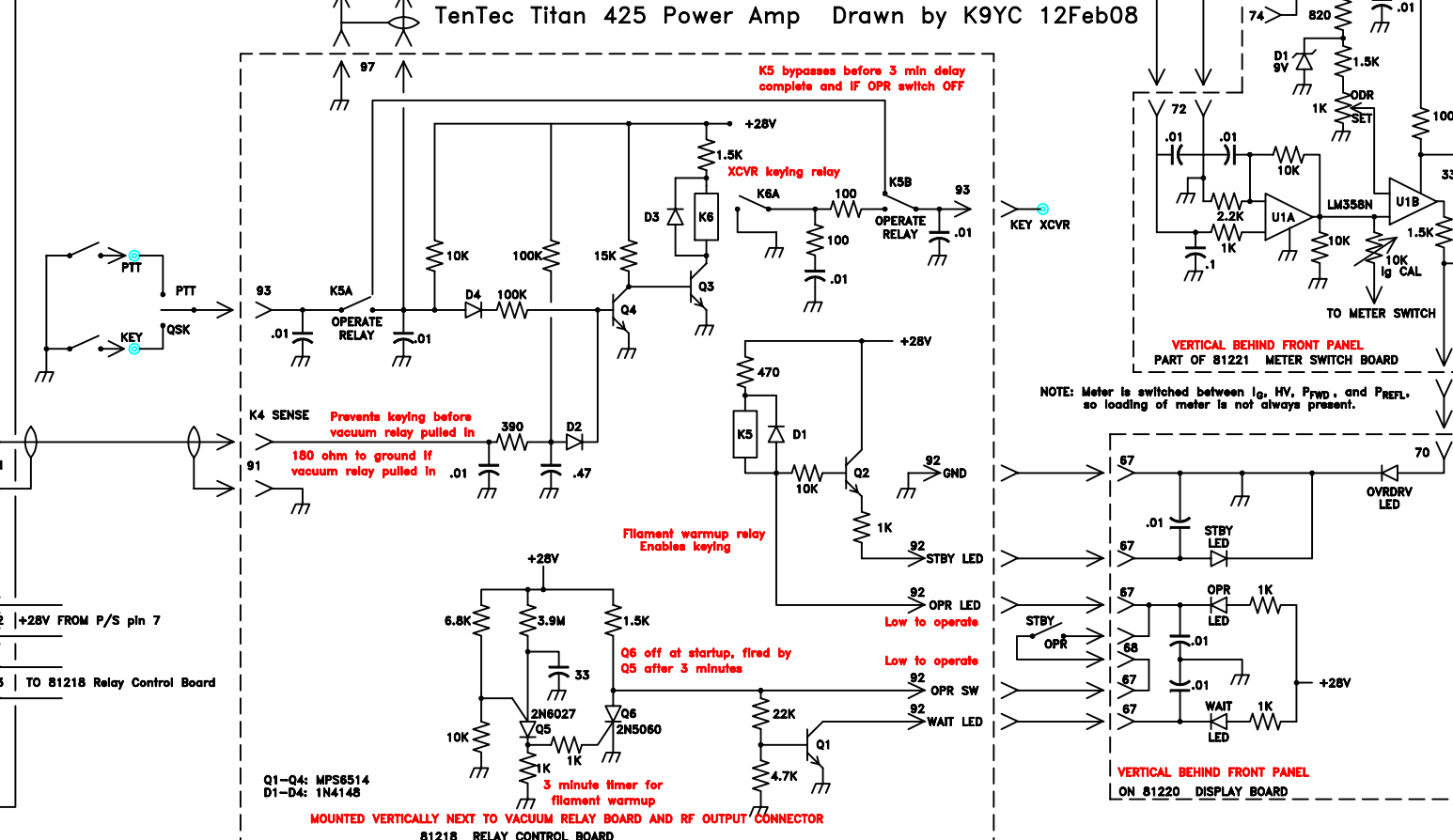
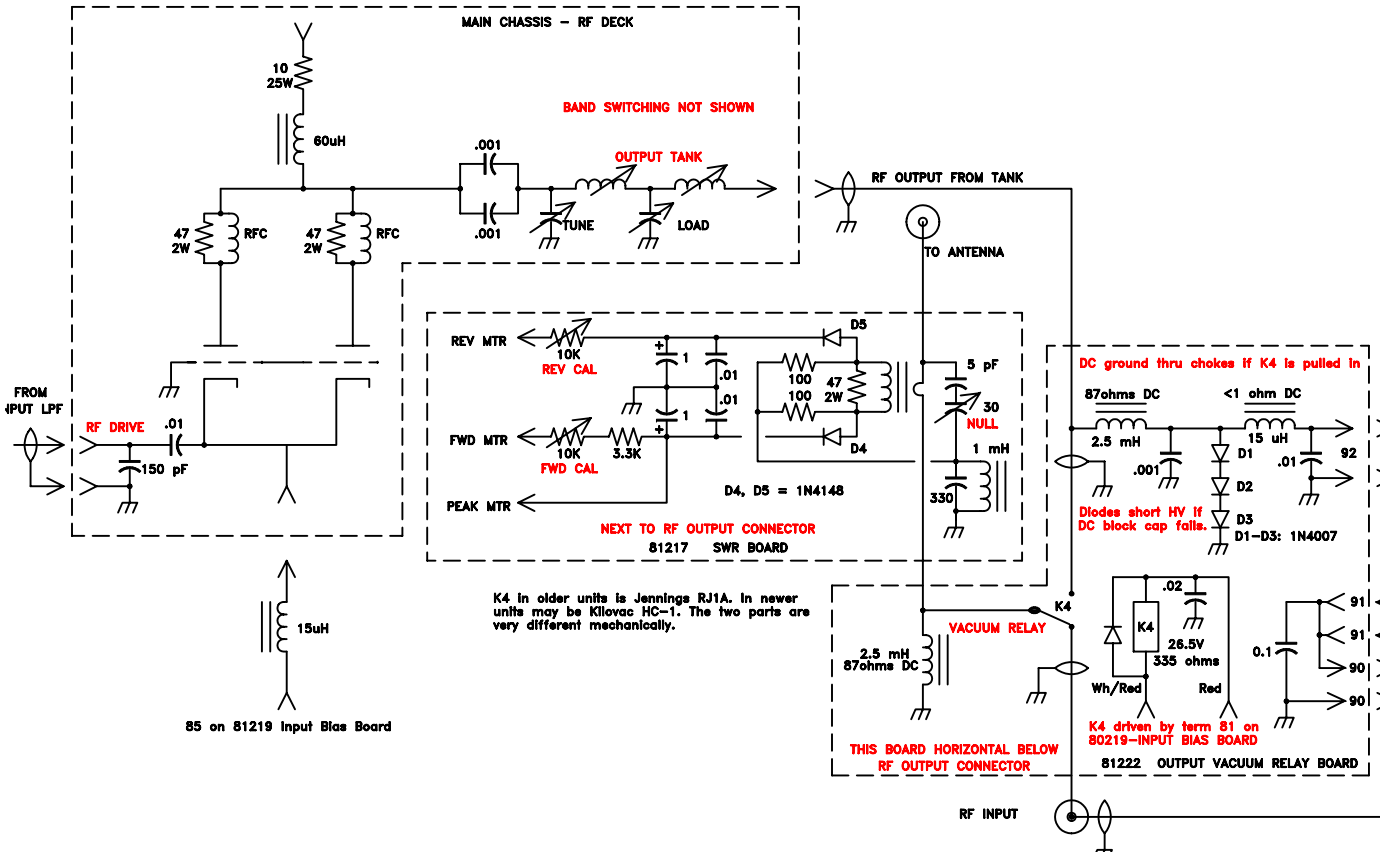
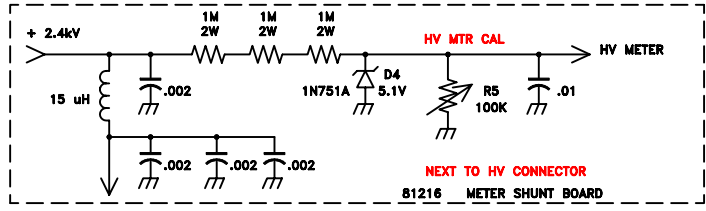
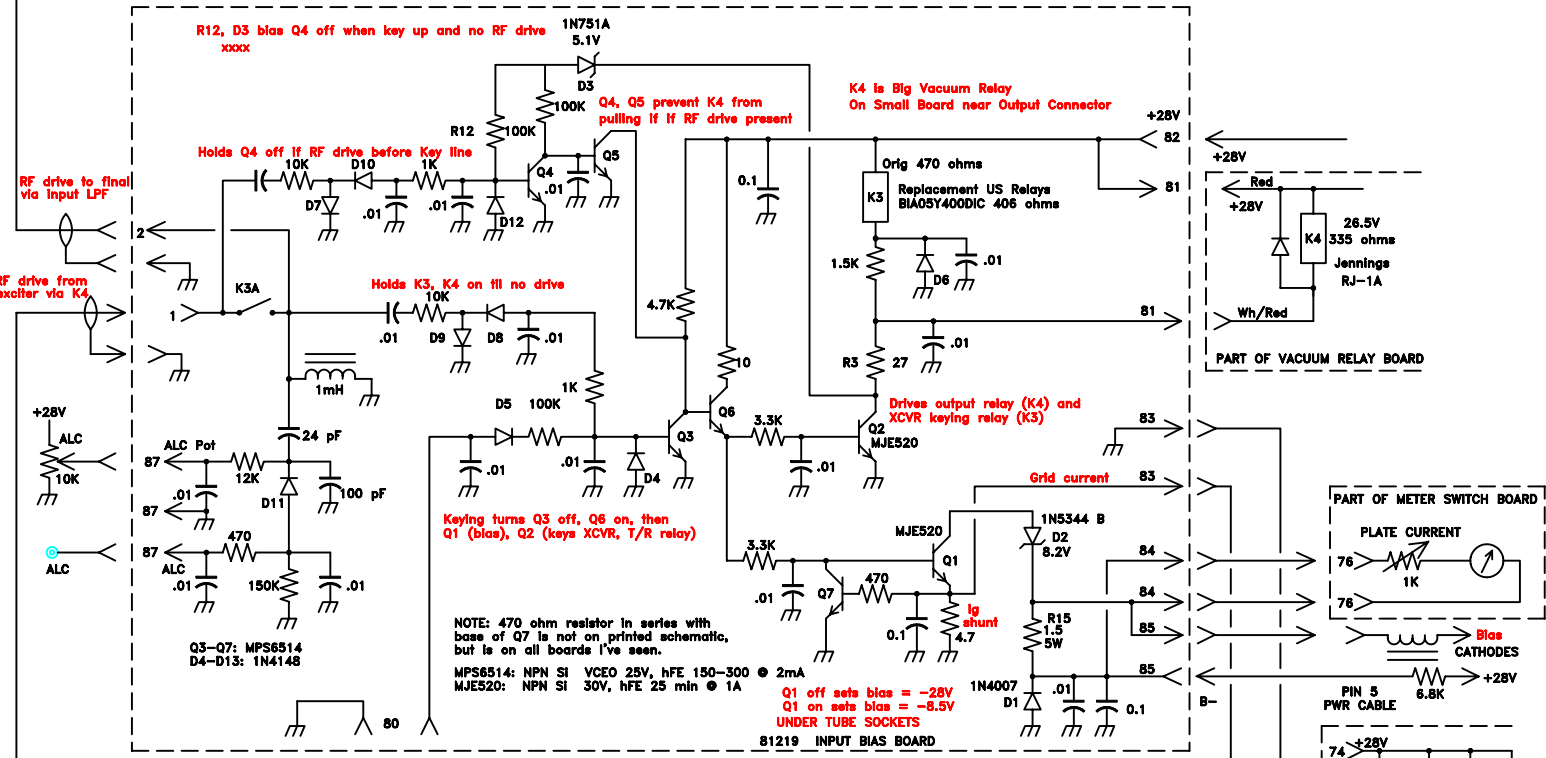


**NOTES ON VERSIONS:**

- 1) Early units have the HV switch on the RF deck in the position where the QSK/SSB switch is on later units, and there is no QSK switch. With those older units, the SSB keying loop **MUST** be opened in QSK mode (if it isn't, you'll lock in XMIT with your first dr).
- 2) Schematics for an early version do not show a 2-speed fan.
- 3) Later units have insulation between plates of the output (LOAD) capacitors.
- 4) Older units use 12V meter lamps in series, with one lampholder insulated by a fiber washer. Newer units use 28V meter lamps in parallel. Both are driven from the 28V bus.

**NOTES ON METER CALIBRATION**

- 1) Grid Current: Unplug cable 83 from Bias Board, drive the cable with 0.56V, set R1 on Meter Switch board for 120mA.
- 2) Plate Current: Unplug cable 84 from Bias Board, drive the cable with 1.5V, set R11 on Meter Switch board for 1A.
- 3) Bias board is under tubes, accessible from below. Meter Switch board is behind meters, access pots from above.



TenTec Titan 425 Power Amp Drawn by K9YC 12Feb08